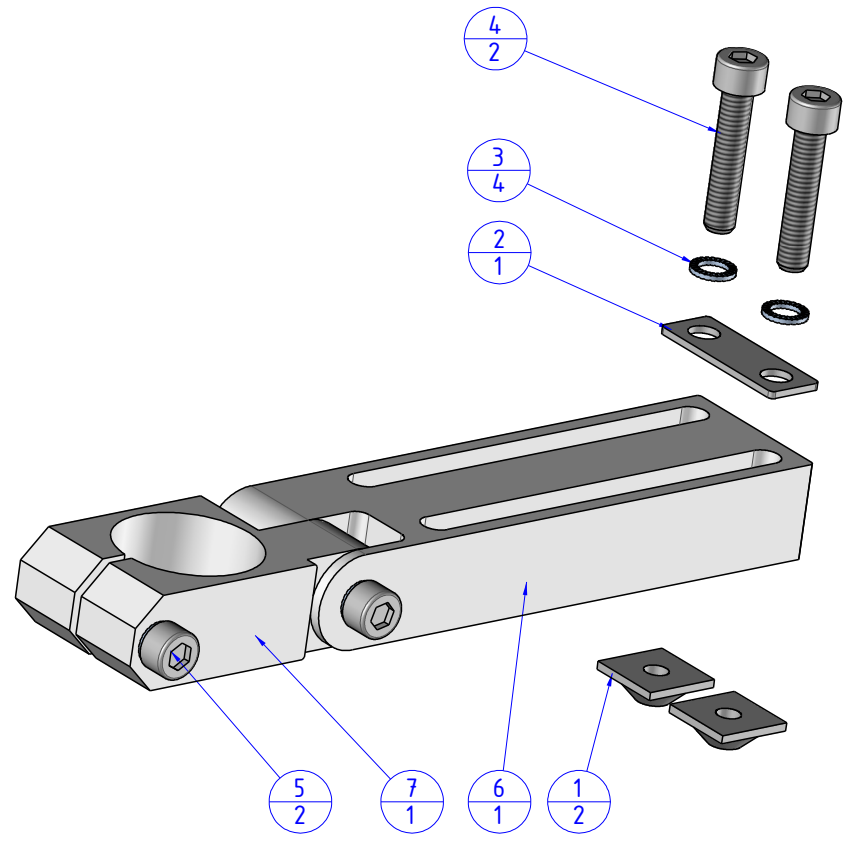
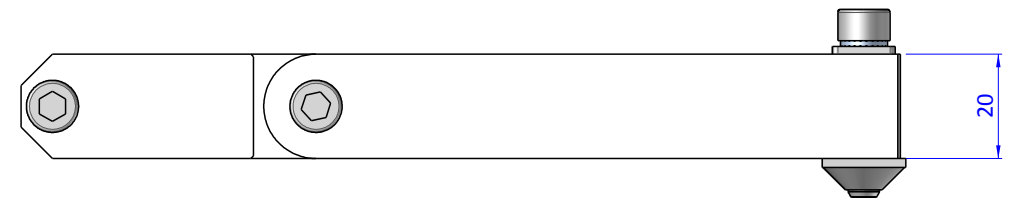
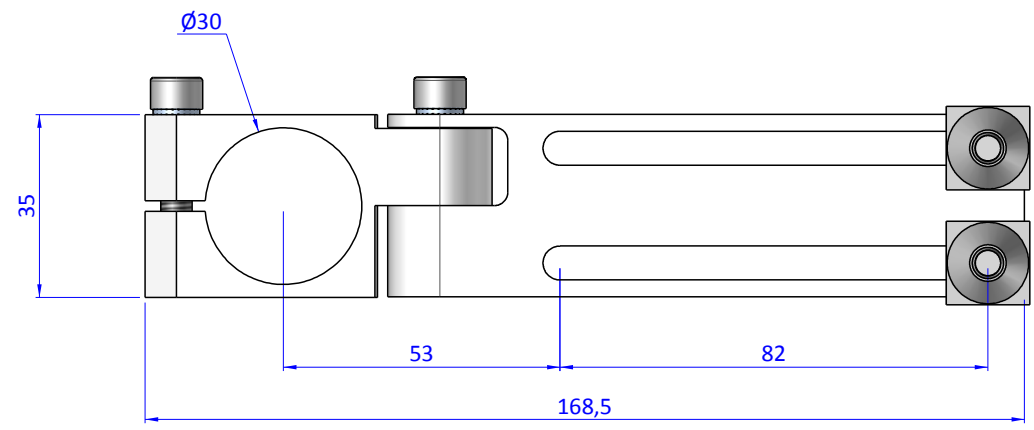



THE PROPERTY OF THE DRAWING IS ESTABLISHED BY LAW. IT IS FORBIDDEN TO PRODUCE OR SHOW IT TO THIRD PARTY, WITHOUT A WRITTEN AGREEMENT.

Item	Name	Q.ty
1	ca.02.05.009	2
2	R.06.22	1
3	R.6.SCH	4
4	V.TCE6x30	2
5	V.TCE6x35	2
6	WSL.GA.30.1	1
7	WSL.GA.30.2	1



 FPS FPSERVICES AUTOMATION		DESIGNED FROM		REVIEW
		FPS Automation		A
GENERAL TOLERANCE		DATE		WEIGHT
UNI - ISO 2768		29/07/2019		
CLASSE f		CODE		
		CA.WSL.GA.30.6		CA.WSL.GA.30.6

Format A3
UNI 936-76